

Remote Display



FEATURES OF REMOTE DISPLAY

Input

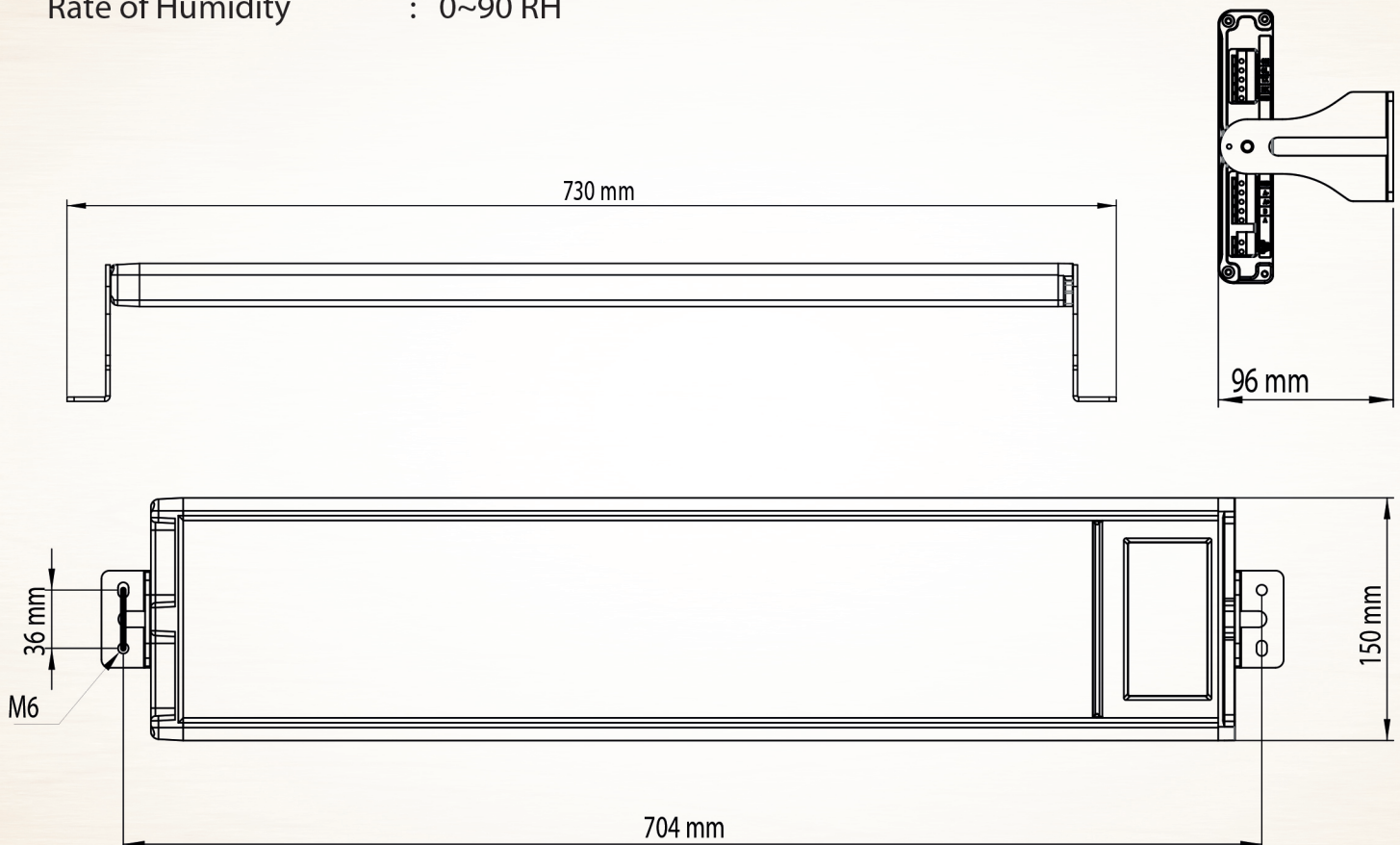
Analog : 0-10 Volt
Digital : RS232 | RS485 | CAN BUS
Sampling Time : 0,2 Second

Supply Voltage

Supply Voltage : 85 - 265 VAC 50/60Hz

Environmental

Information Storage : EEPROM(minimum 10 years).
Operating Temperature : -30 - 65°C (without condensation)
Rate of Humidity : 0~90 RH

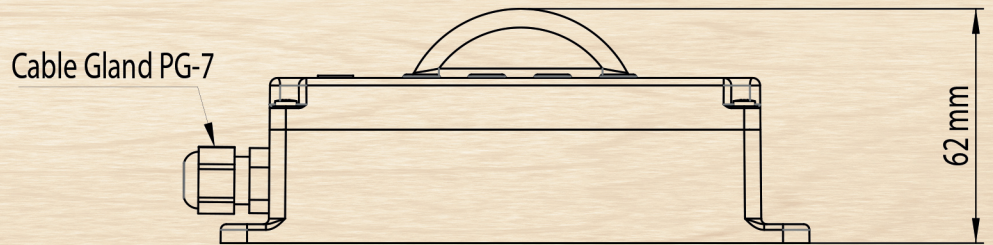
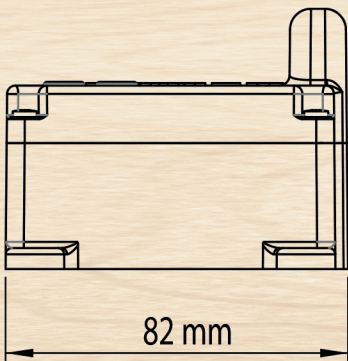
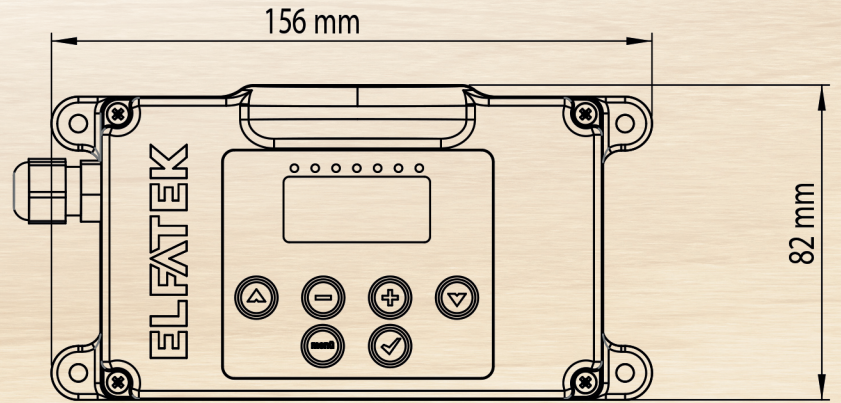


Rotary Limit Switch



FEATURES OF ROTARY LIMIT SWITCH

Supply Voltage	: (20~50 VDC - 15~35 VAC) veya (90~265 VAC)
Power Weigh (max)	: 3.6 WATT
Type of Main Body	: ABS
Working Heat	: -20 +70 °C
Storage Heat	: -30~ 80 °C
Rate of Humidity	: 45~ 85 %RH
Protection Class	: IP65
Weight	: 960 gr
Warranty	: 2 year



T: +90 332 345 38 83 (Pbx)
www.elfatek.com.tr