

# Elevator and crane industry;

Overload Systems, Your Solution Partner



Rope Type Load Cell



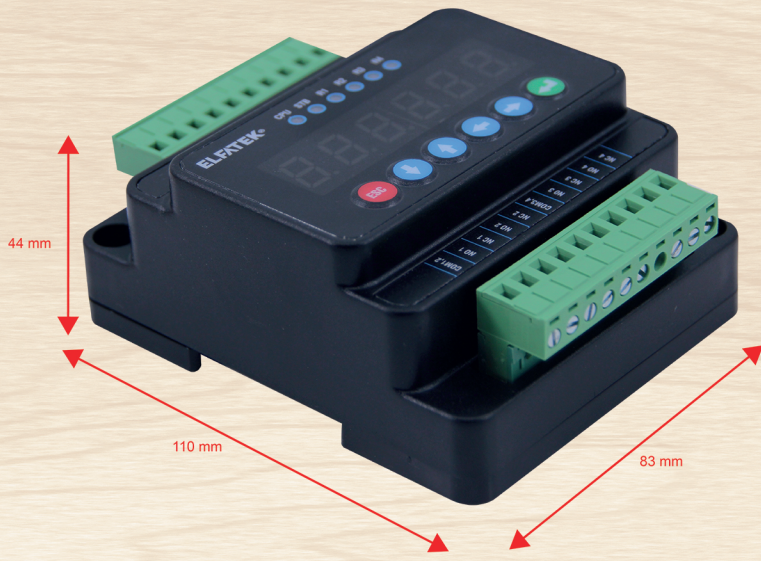
Pin Type Load Cell



Load Control Indicator



T: +90 332 345 38 83 (Pbx)  
[www.elfatek.com.tr](http://www.elfatek.com.tr)



## FEATURES OF LOAD CONTROL INDICATOR

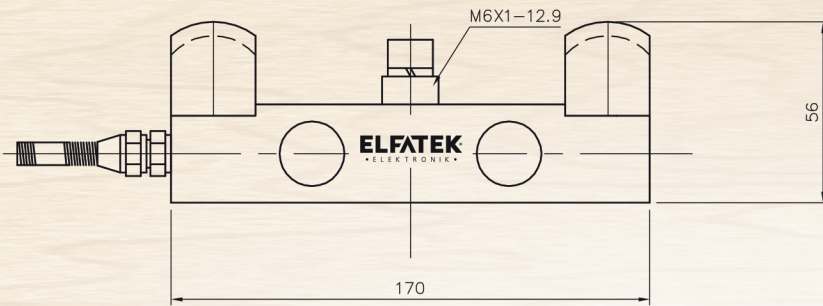
Connection Voltage : 85-265 VAC  
 Sensor Input : 1 panel input  
 Signal : 4 Relay, RL1, RL2, RL3, RL4  
 Telecommunication : RS232 ve canBUS (optional)  
 Relay Position : Relay locations of all outputs can be set  
 RL 1-2 common, RL 3-4 common

Load Control Unit Weights : 218 gr.

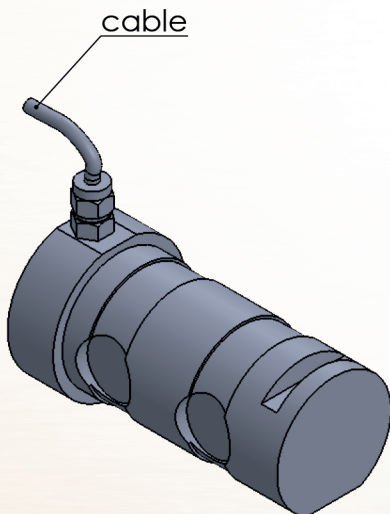
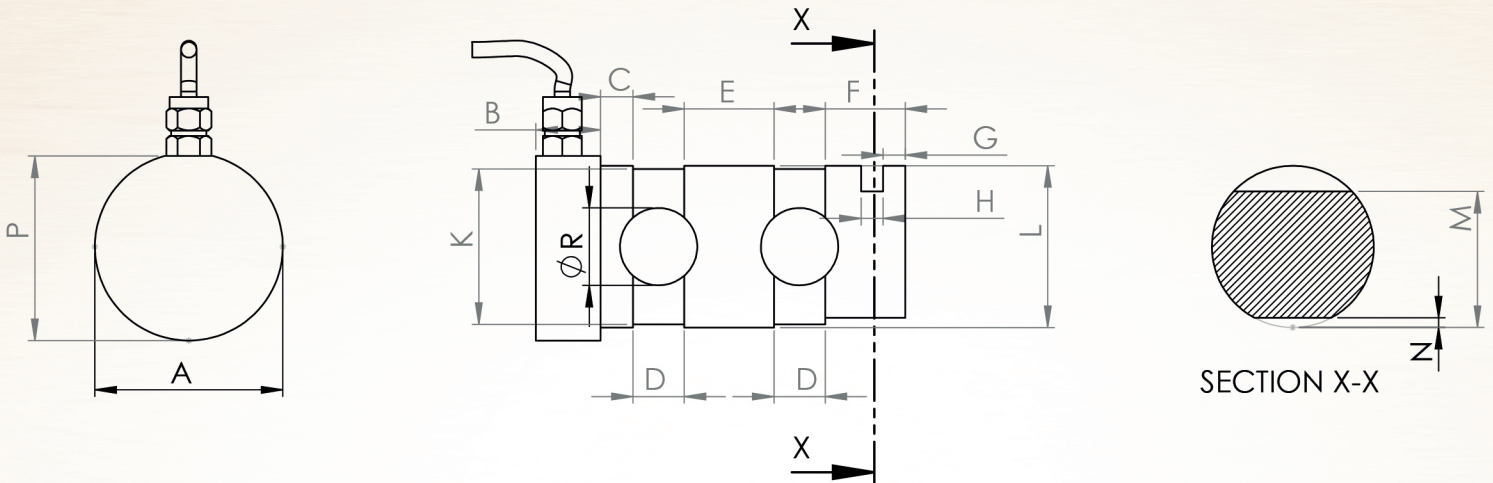
Temperature of Working : -20.....+55 °C

Analog Output	Voltage	Flow
	0-5 V	0-10 mA
	0-10 V	0-20 mA
	1-5 V	2-10 mA
	2-10 V	4-20 mA

## ROPE TYPE LOAD CELL



## PIN TYPE LOAD CELL



	10 T	5 T
A	Ø 58	Ø 49
B	20	20
C	10	9,5
D	15,8	12
E	27,7	21
F	24,7	21,5
G	6,8	4,8
H	6,8	6,8
K	Ø 48	Ø 38,40
L	Ø 50 <sup>-0,02</sup>	Ø 40 <sup>-0,02</sup>
M	42	31,9
N	3	2
P	57	47,5
R	Ø 24	Ø 20